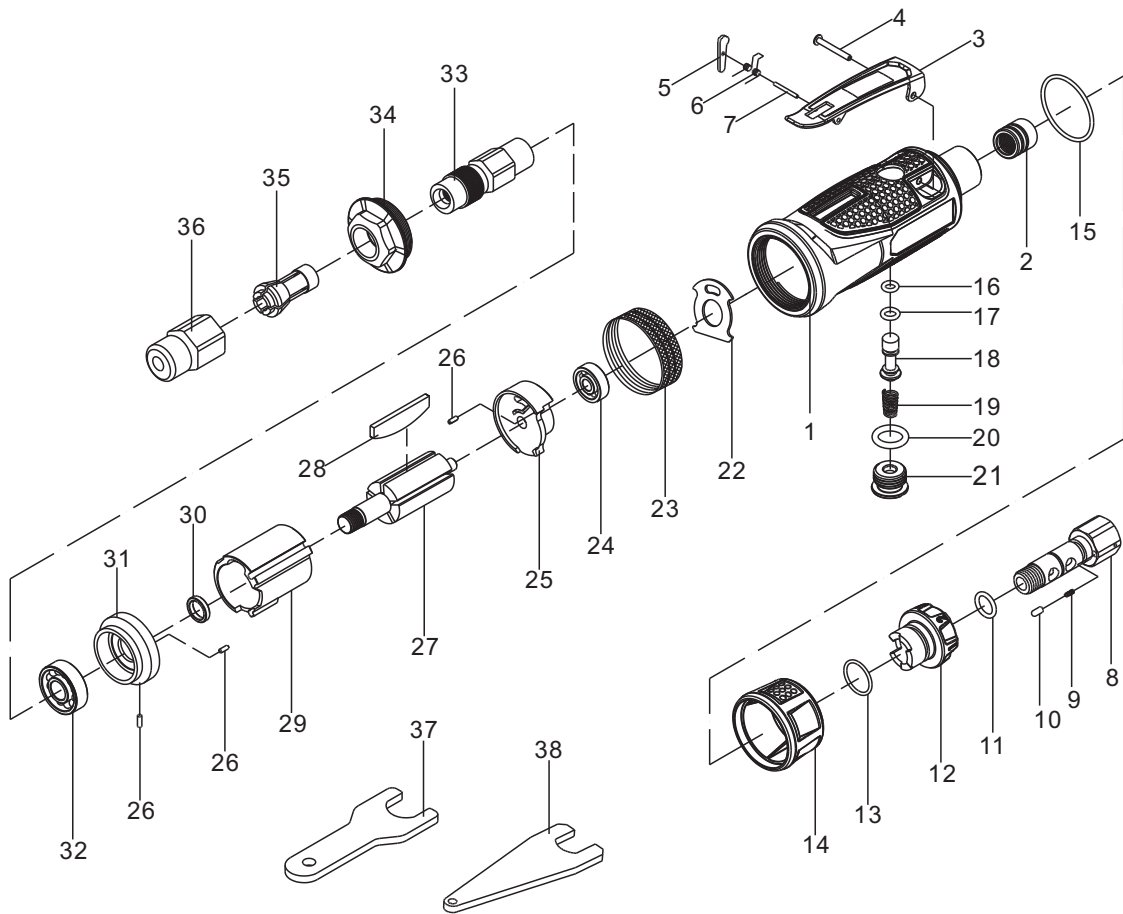


SPARE PARTS LIST

1/4" (6 mm) Air Die Grinder (Model: AT-7033N)



Part No.	Description	Qty.
01	Main housing	1
02	Bushing	1
03	Trigger	1
04	Bolt	1
05	Lever block	1
06	Spring	1
07	Bolt	1
08	Air inlet	1
09	Spring	1
10	Sleeve	1
11	O-ring	1
12	Air regulator	1
13	O-ring	1
14	Exhaust deflector	1
15	O-ring	1
16	O-ring	1
17	O-ring	1
18	Air valve	1
19	Spring	1

Part No.	Description	Qty.
20	O-ring	1
21	Set nut	1
22	Gasket	1
23	Bushing	1
24	Bearing	1
25	Rear plate	1
26	Bolt	3
27	Rotor	1
28	Rotor blade	4
29	Cylinder	1
30	Rotor sleeve	1
31	Front plate	1
32	Bearing	1
33	Collet stand	1
34	Fix ring	1
35	Collet	1
36	Collet retainer	1
37	Big wrench	1
38	Small wrench	1